

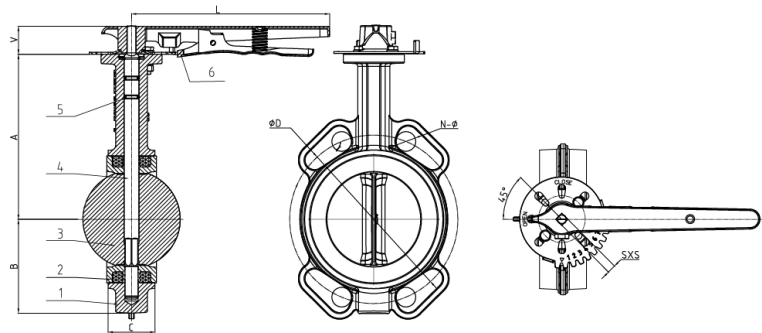
## BS EN 593 Universal Wafer Butterfly Valve (D71XK), PN10/16



**New Design**

D71XK

- Design Standard: BS EN 593
- Face to Face dimension: ISO 5752 Series 20
- Top Flange Standard: ISO 5211
- Connection Ends: BS EN1092-2 PN10/PN16, ASME B16.1 CL125, ASME B16.5 CL150, AS 2129 TABLE D/E, BS 10 TABLE D/E, JIS B2239 10k
- Working Pressure: PN10/16
- Temperature Range: 0°C- 100°C
- Coating: Fusion Bonded Epoxy Coating in accordance with ANSI/AWWA C550



### MATERIAL SPECIFICATION

Part No.	Part	Standard Specification	Options
1	Body	EN-GJS-450-10	
2	Seat	EPDM	NBR, PTFE
3	Disc	EN-GJS-450-10	SS304, SS316, ASTM B148 C95400
4	Stem	SS420	SS304, SS316, SS431
5	O-Ring	NBR	EPDM
6	Lever	Carbon Steel	SS304, SS316

Note: For special material request other than standard specification, please indicate clearly on the inquiry or order list.

DN		Dimensions(mm)								
Inch	mm	A	B	C	D	V	N-Ø	SXS	L	ISO5211
1.5"	40	138	64.5	33	110	27	4-φ 19	9X9	212	F05
2"	50	140.5	64.5	43	125	27	4-φ 19	9X9	212	F05
2.5"	65	153	72	46	145	27	4-φ 19	9X9	212	F05
3"	80	157.5	86	46	160	27	8-φ 19	9X9	212	F05
4"	100	176	100	52	180	27	8-φ 19	9X9	212	F05
5"	125	191	112	56	210	27	8-φ 19	14X14	256	F07
6"	150	202.5	128	56	240	27	8-φ 23	14X14	256	F07
8"	200	243.5	164	60	295	37	12-φ 23	17X17	373	F10
10"	250	273	194	68	355	37	12-φ 28	22X22	373	F10
12"	300	311	223	78	410	40	12-φ 28	22X22	373	F10